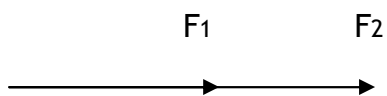


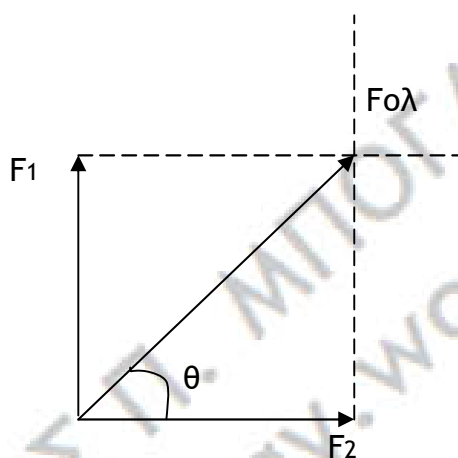
Πρόσθεση Διανυσμάτων



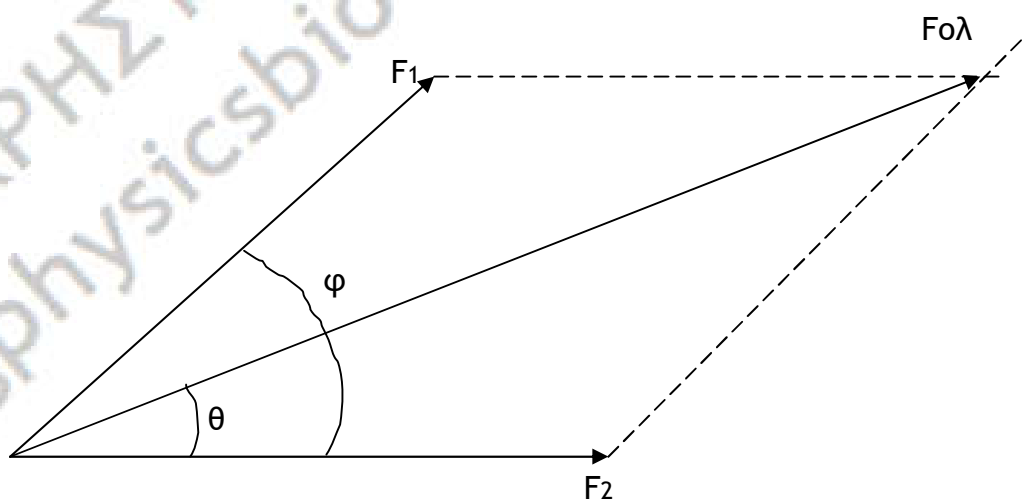
A) $F_{ολ} = F_1 + F_2$



B) $F_{ολ} = F_1 - F_2$



Γ) $F_{ολ} = \sqrt{F_1^2 + F_2^2}$ και $\epsilon\phi\theta = F_1/F_2$



Δ) $F_{ολ} = \sqrt{F_1^2 + F_2^2 + 2F_1F_2\cos\phi}$ και

$$\epsilon\phi\theta = \frac{F_1\eta\mu\theta}{F_2 + F_1\cos\phi}$$